

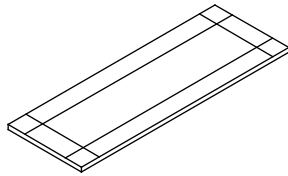


ASSEMBLY INSTRUCTION

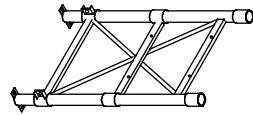
36340-56T TV STAND

HOMELEGANCE

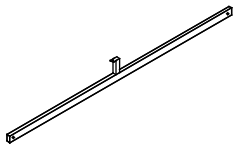
PART LIST:



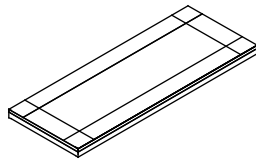
A TV STAND TOP 1PC



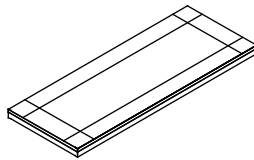
B LEG FRAME 2PCS



C TOP RAIL 2PCS



D MIDDLE SHELF 1PC



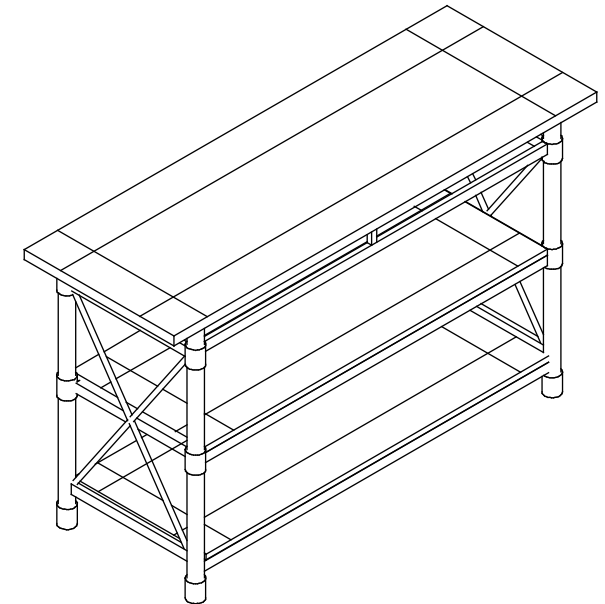
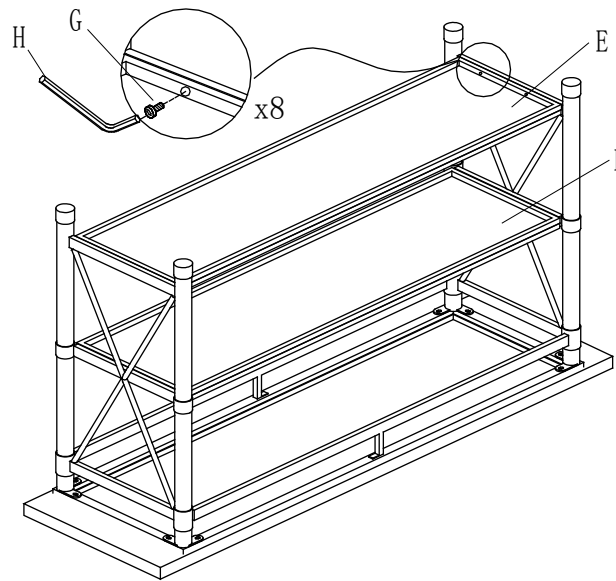
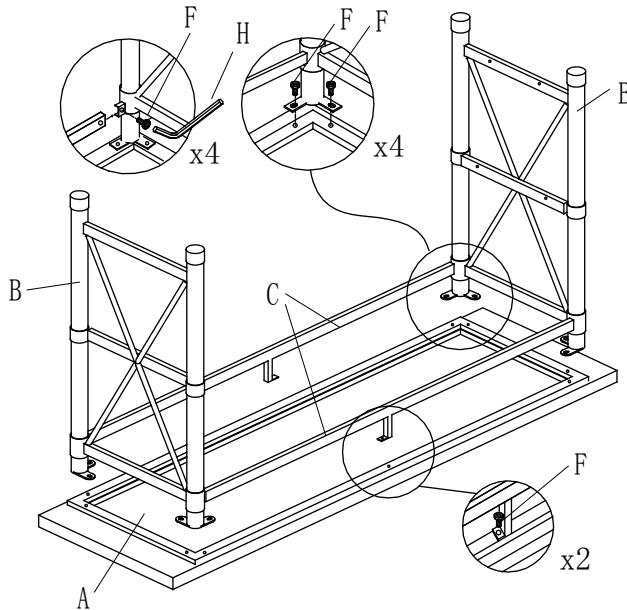
E BOTTOM SHELF 1PC

HARDWARE LIST/Liste de la quincaillerie				
F		Bolt	1/4*12mm	14pcs
G		Bolt	1/4*20mm	8pcs
H		L-Allen Key	4mm	1pc

STEP 1

STEP 2

COMPLETED



It is recommended to install protective pads under all legs and supports to avoid damage or scratches when placing furniture on a wood floor or other hard surface, and to limit indentation and prevent discoloration if placing on carpet.

DO NOT TIGHTEN BOLTS UNTIL COMPLETELY ASSEMBLED.